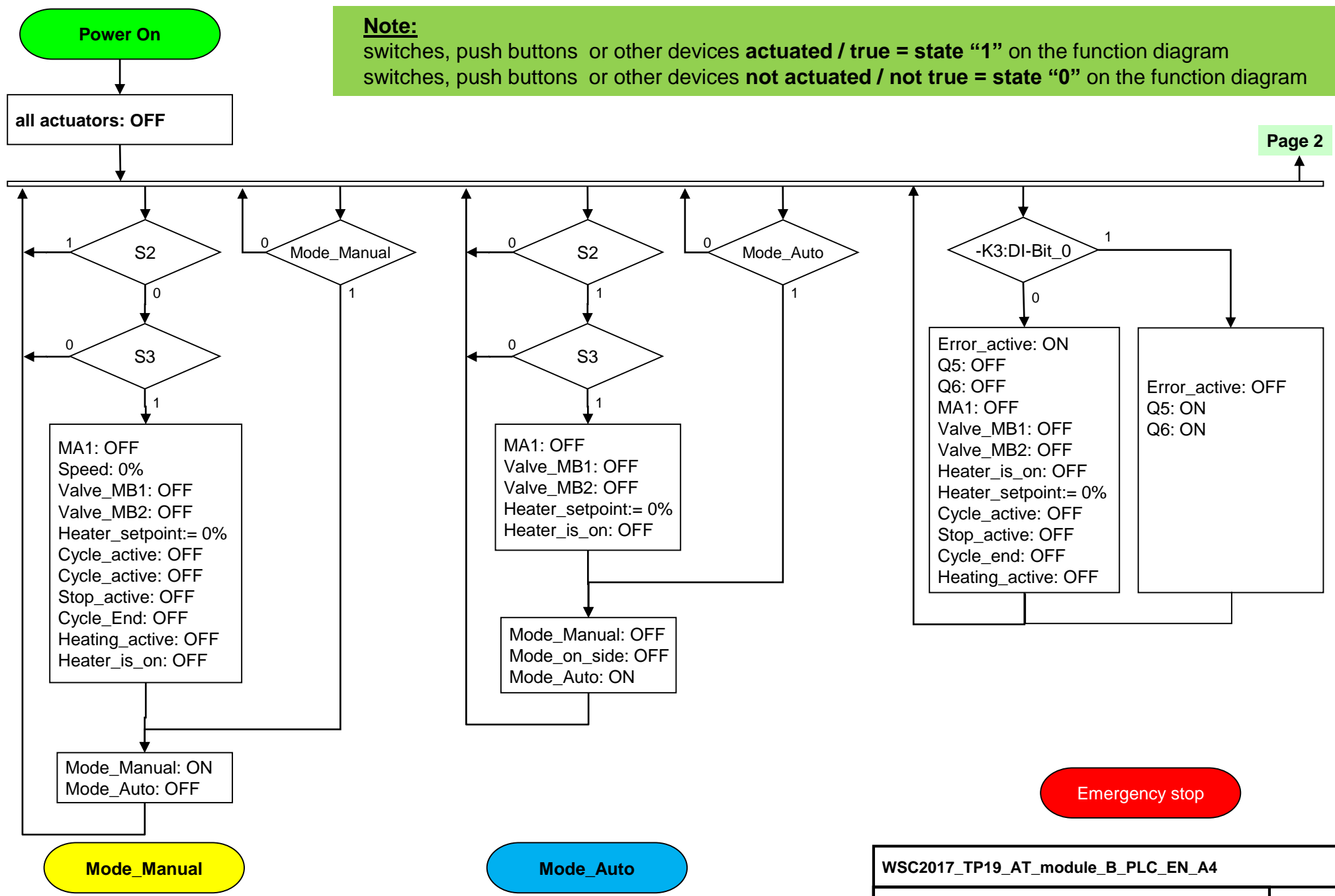


Note:

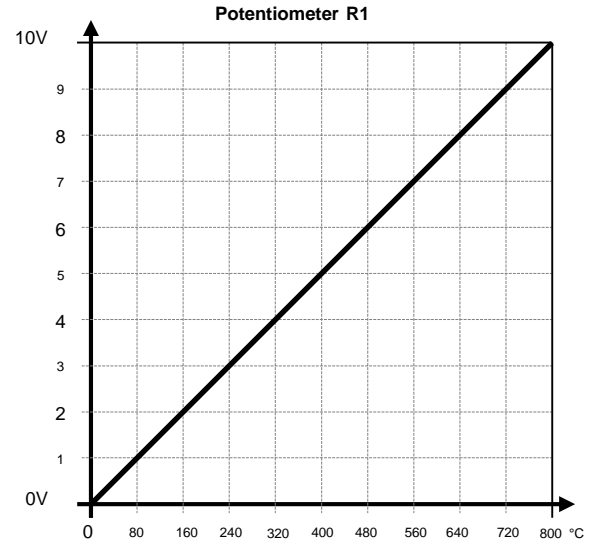
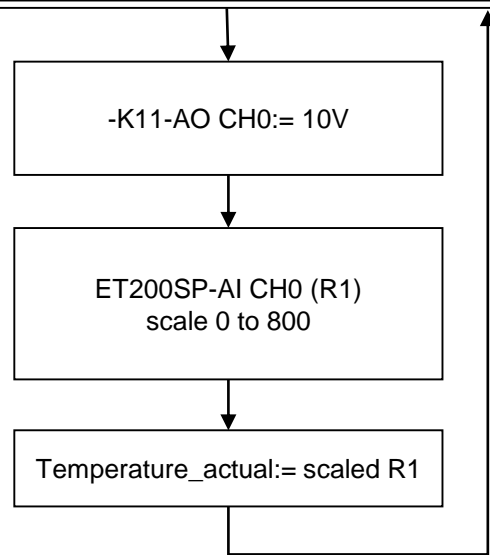
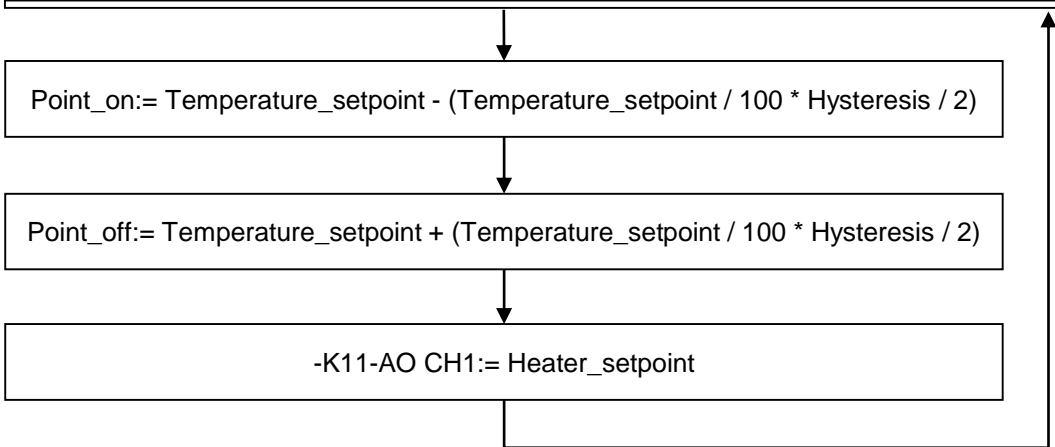
switches, push buttons or other devices **actuated / true = state "1"** on the function diagram
switches, push buttons or other devices **not actuated / not true = state "0"** on the function diagram



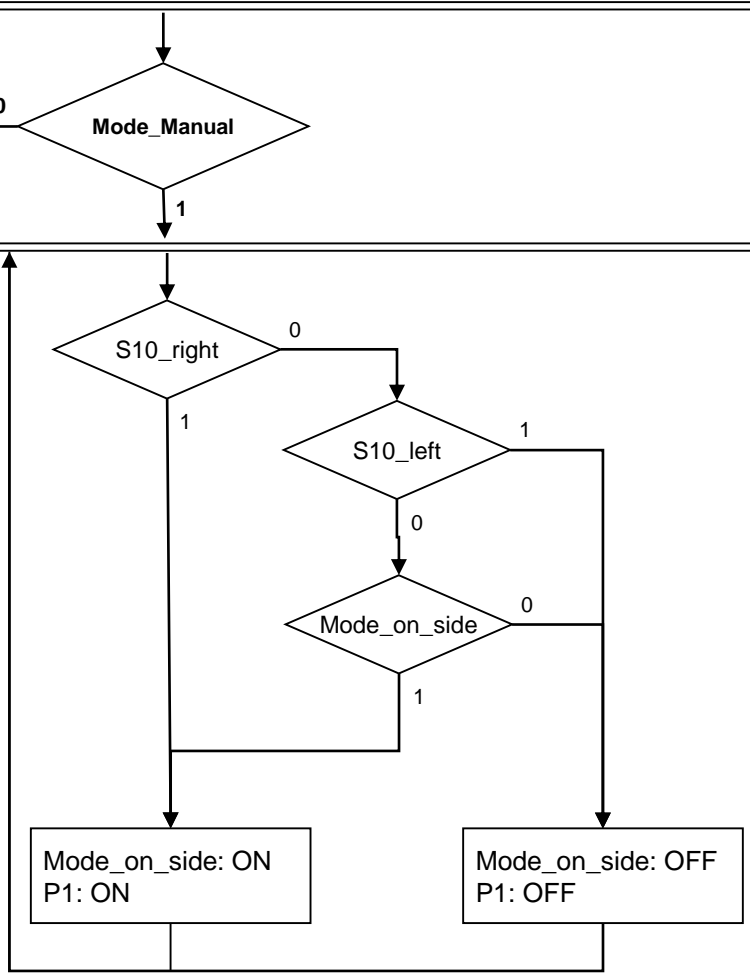
Mode_Manual

Mode_Auto

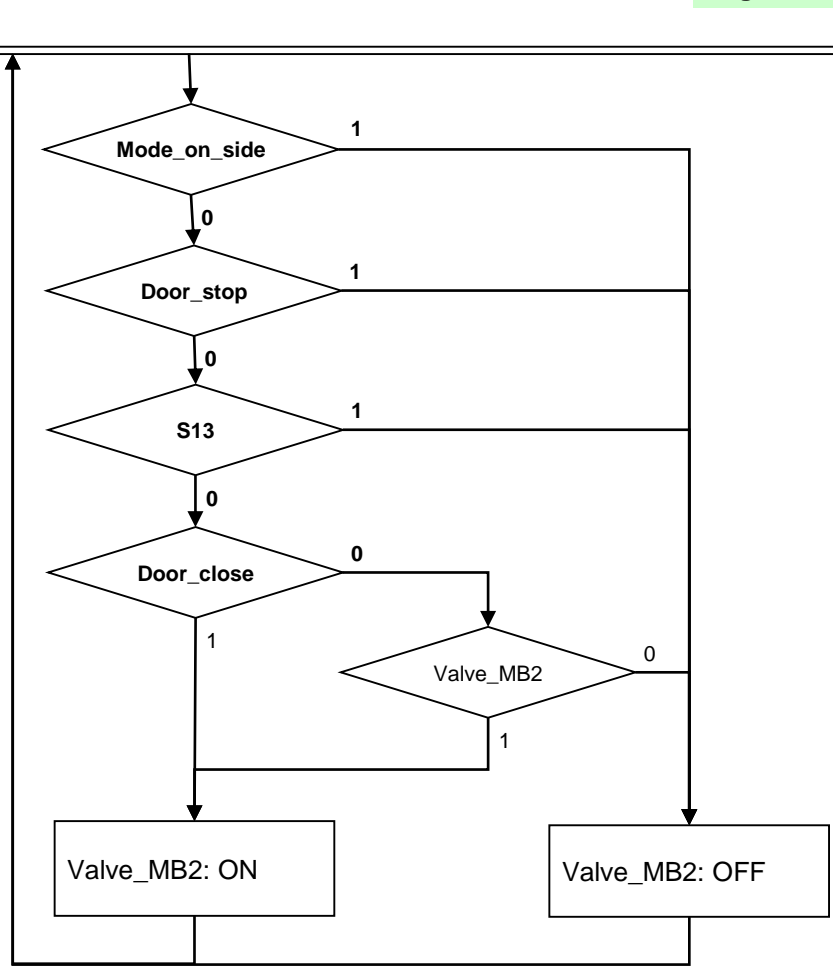
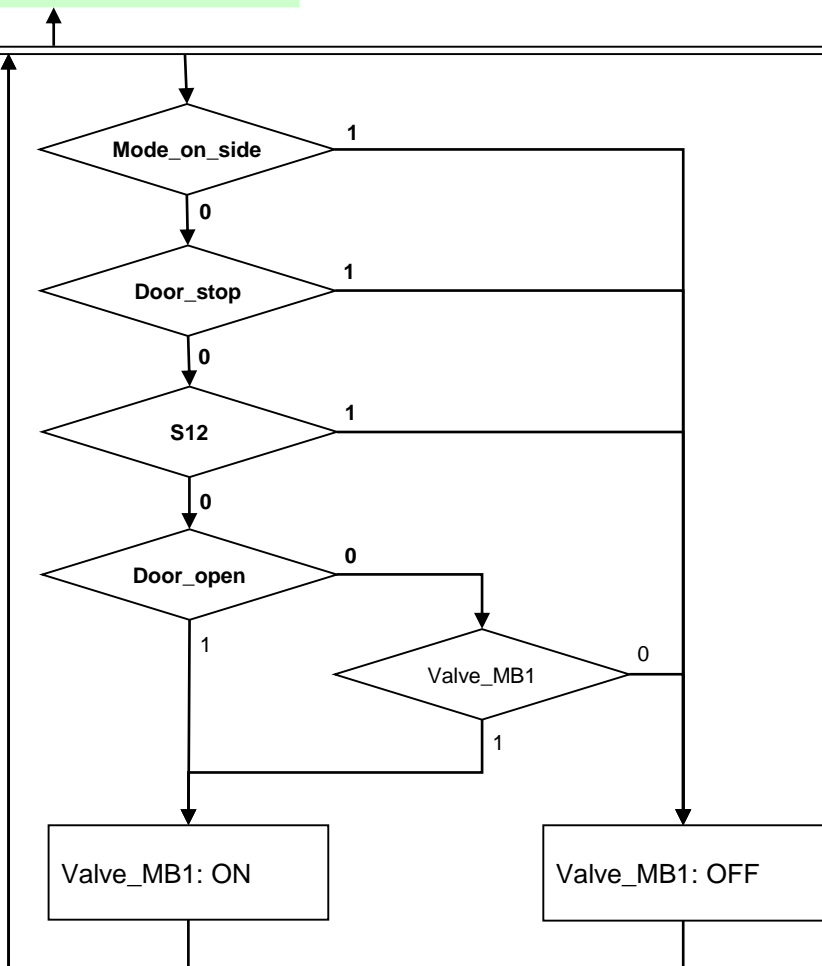
Emergency stop



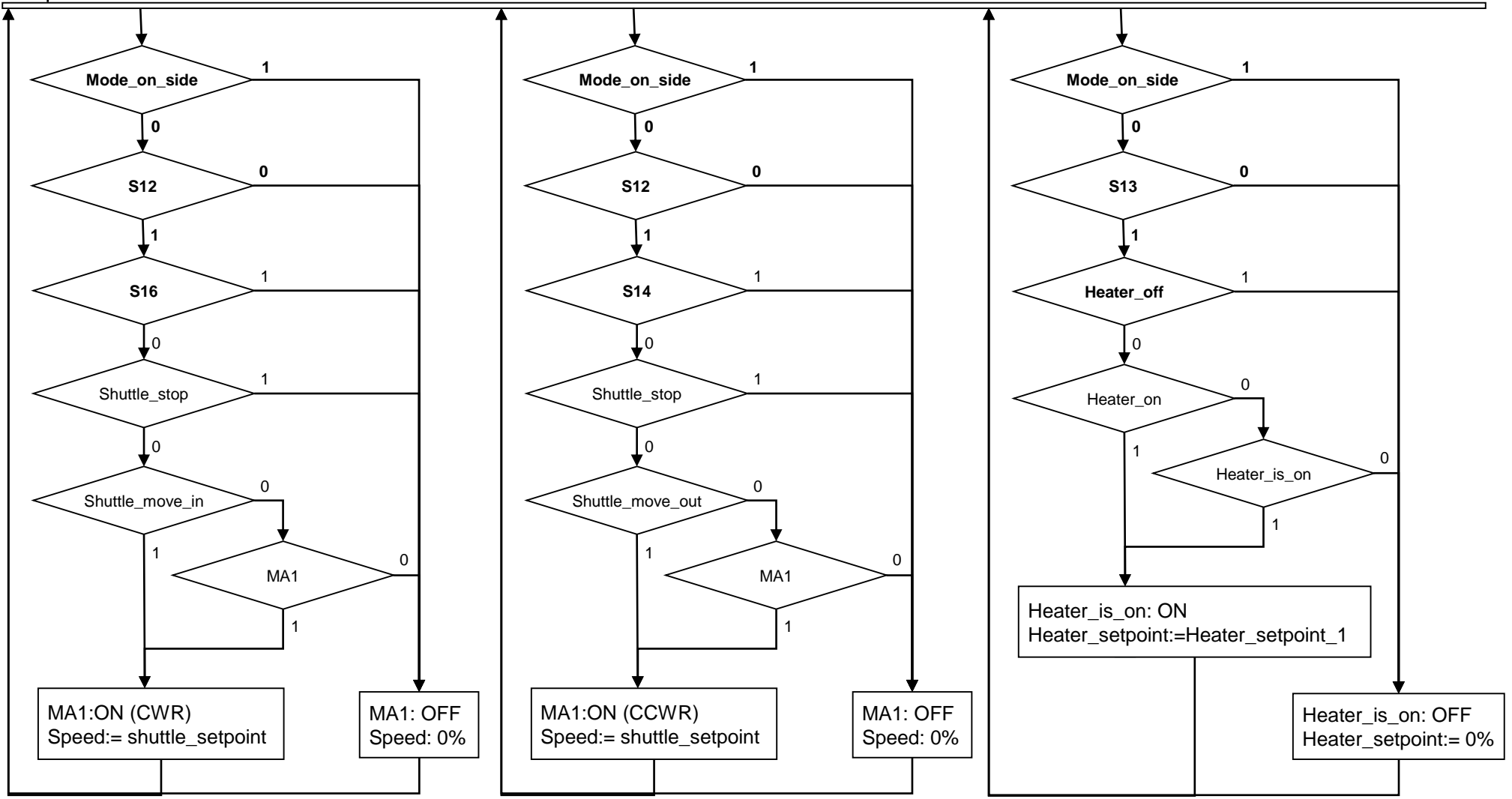
This page is not in use



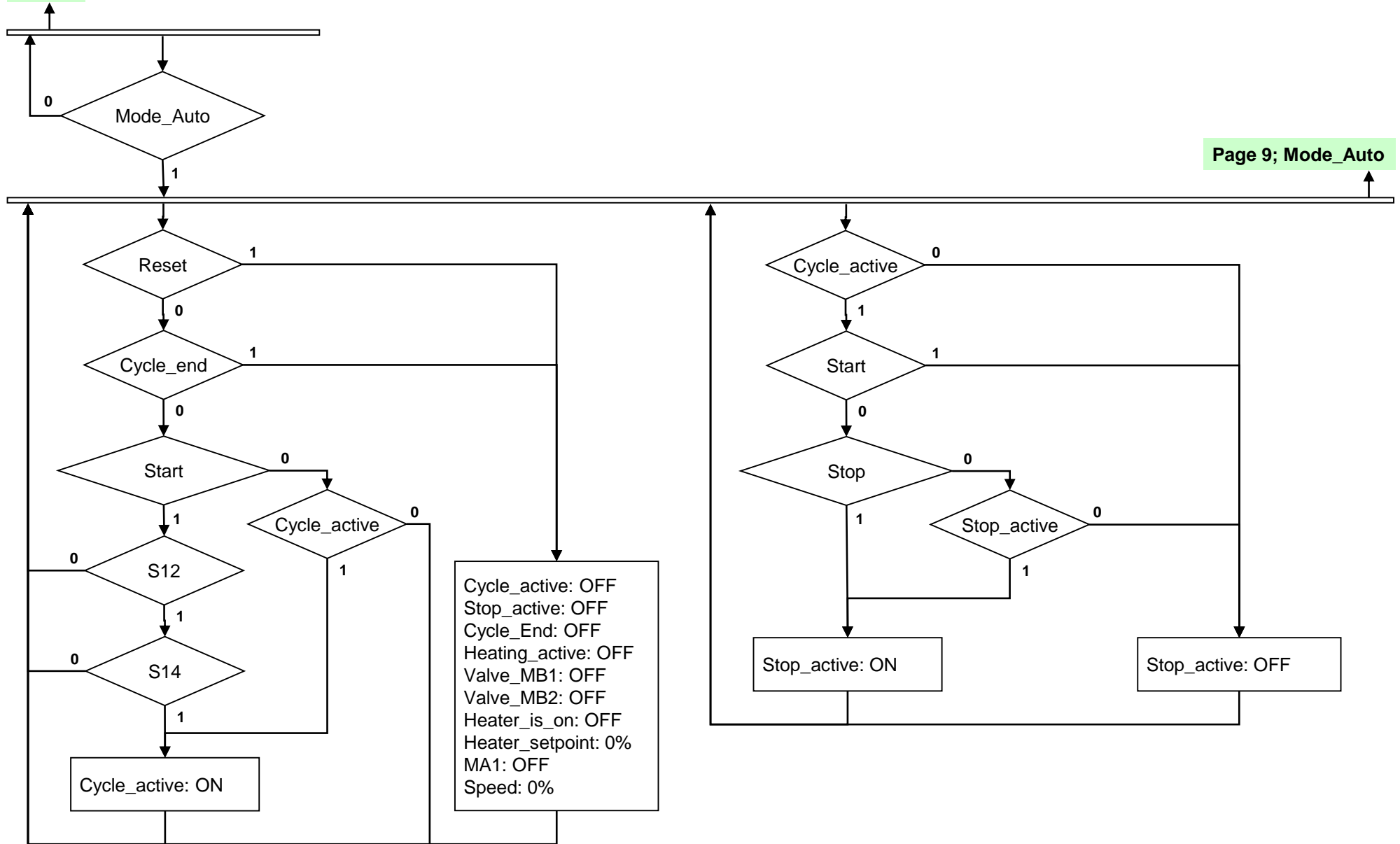
Mode_on_side



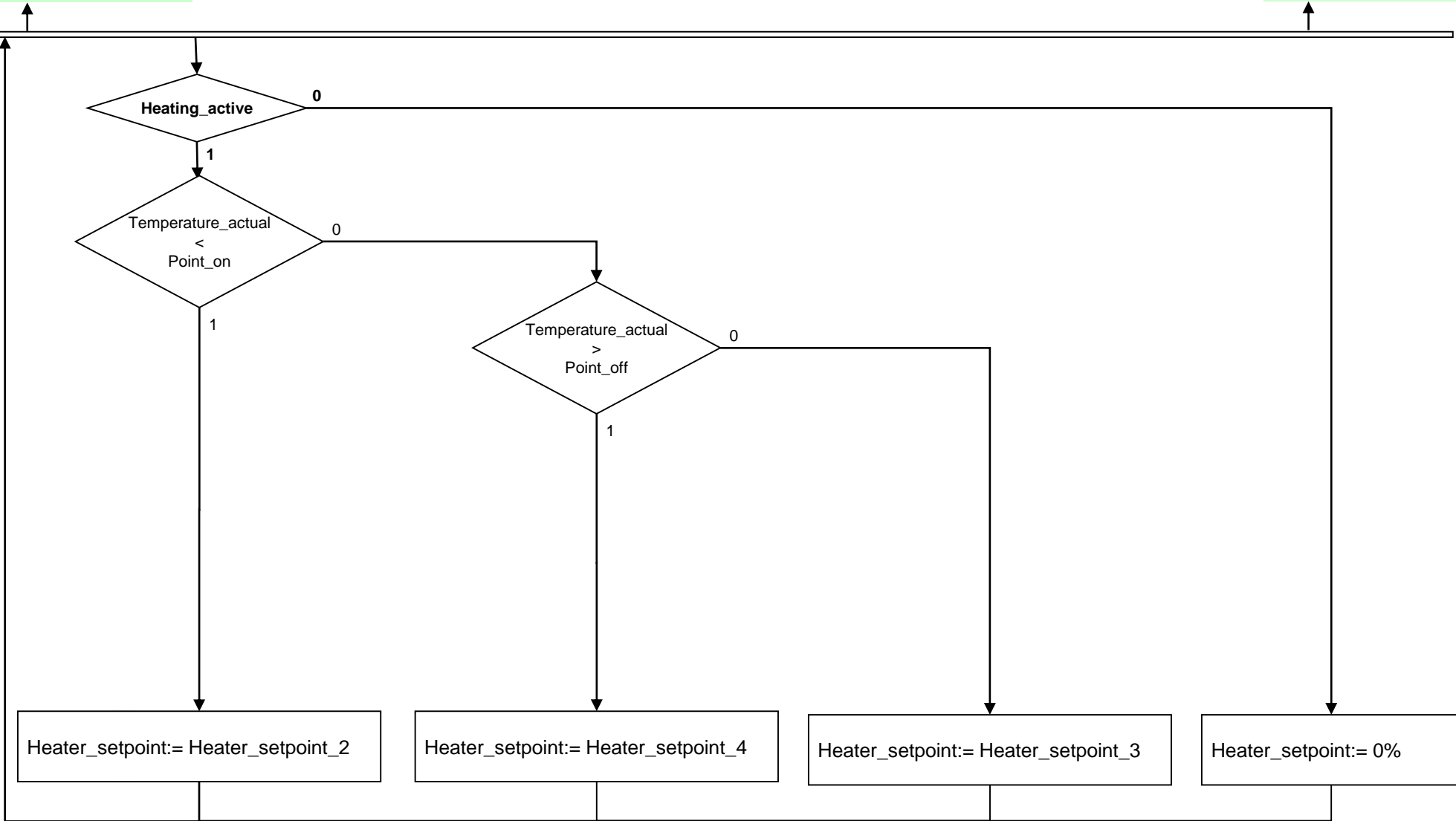
Mode_Manual: open door close door



Mode_Manual: shuttle move inside shuttle move outside heater on/off

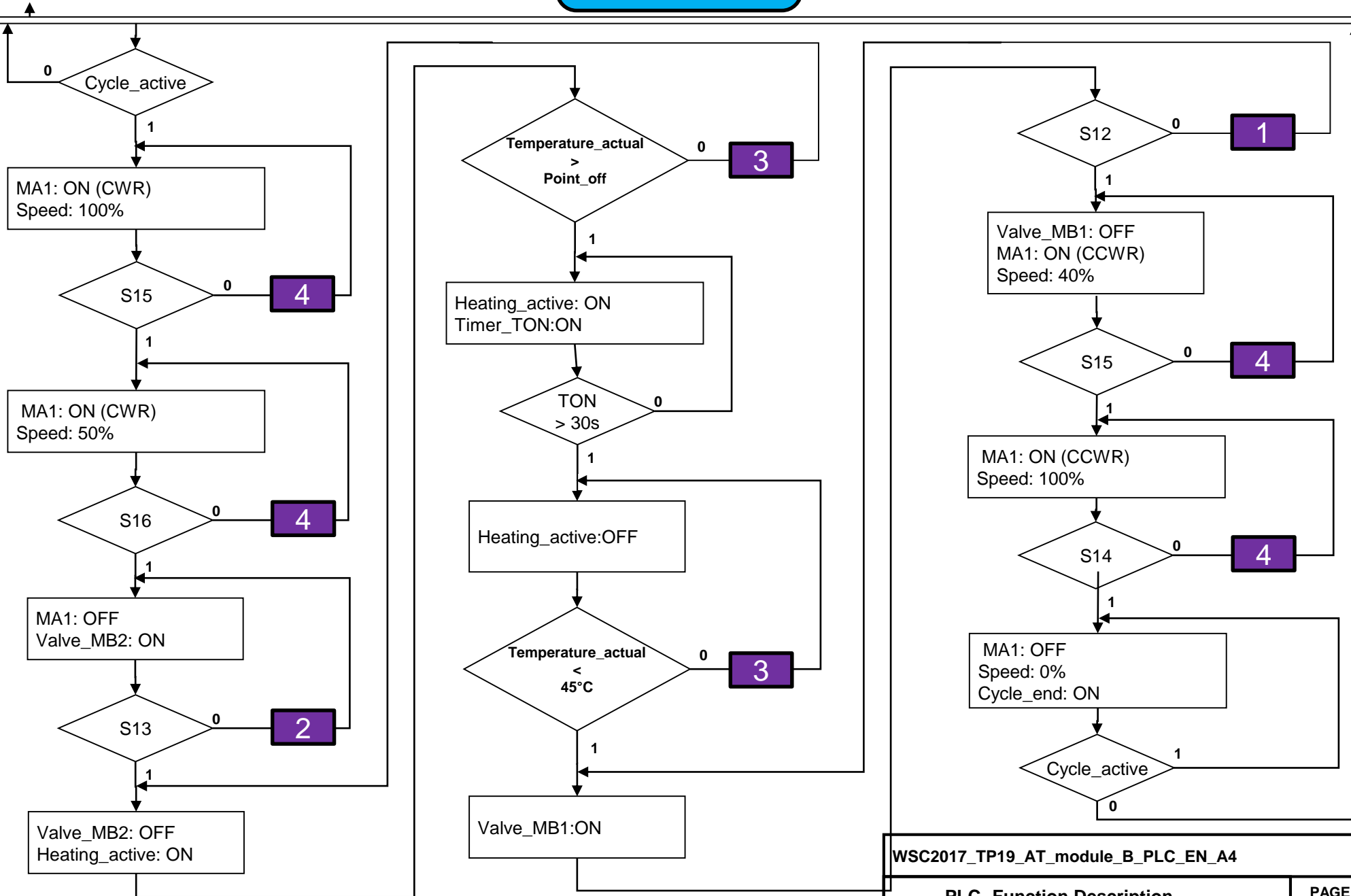


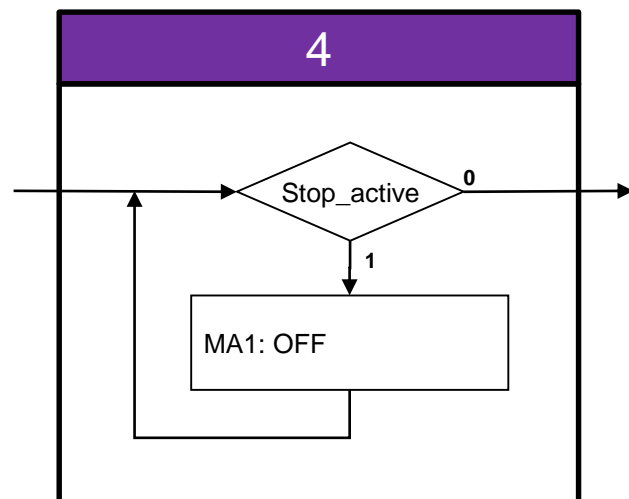
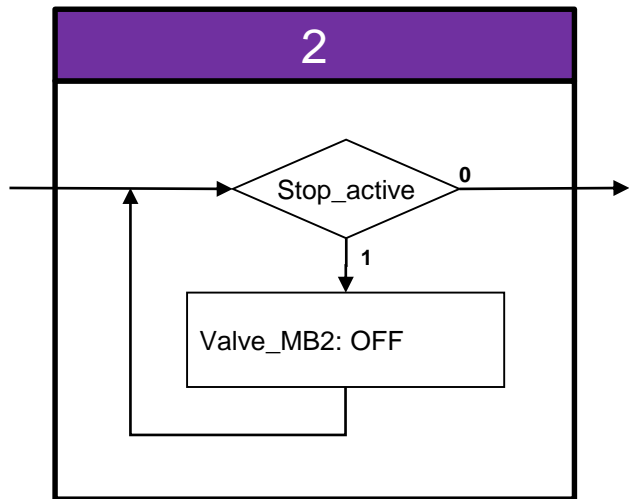
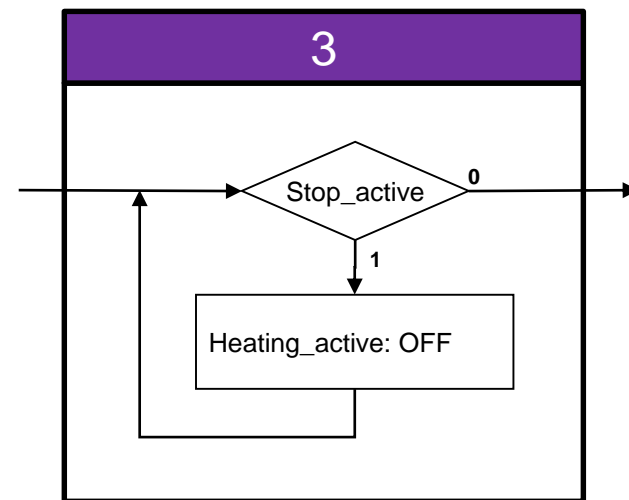
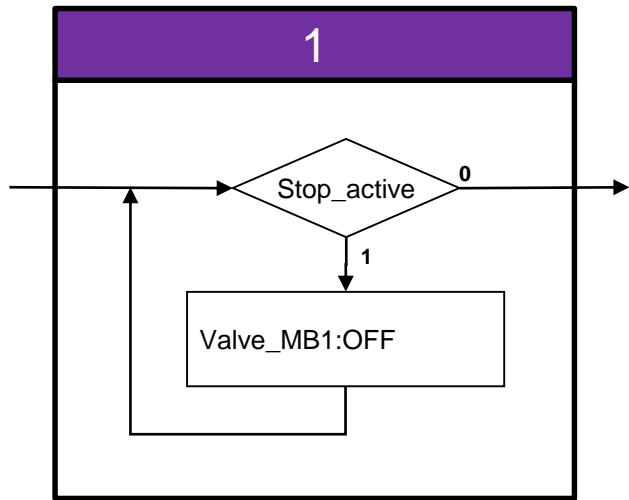
Mode_Auto: Cycle_active Stop_active



Mode_Auto:

Heater 2 point control





Mode_Auto: Cycle interrupt with Stop- button